

JUKI[®]

(熱線糸切り仕様/HOT-WIRE TYPE THREAD TRIMMER)

AMS-210DHL-6350/AL6

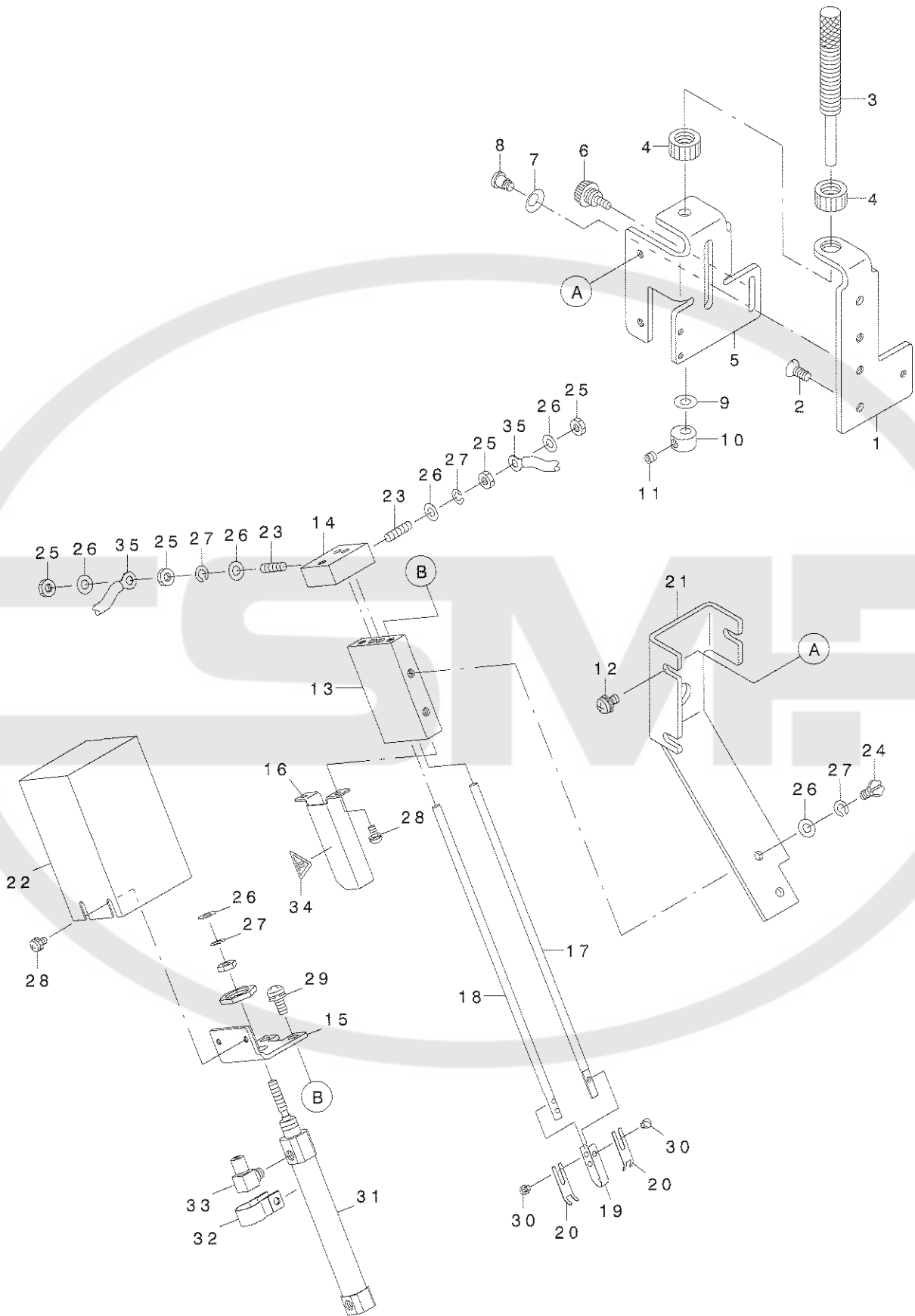
PARTS LIST

CSTMP

1 .UPPER HOT-WIRE COMPONETNS	1
2 .LOWER HOT-WIRE COMPONENTS	3
3 .NEEDLE THREAD FEEDER COMPONENTS	4
@4 .SOLENOID VALVE & OTHER COMPONENTS (1)	5
5 .SOLENOID VALVE & OTHER COMPONENTS (2)	6
6 .ELECTRICAL EQUIPMENT COMPONENTS	7



1. UPPER HOT-WIRE COMPONENTS
 上熱線關係



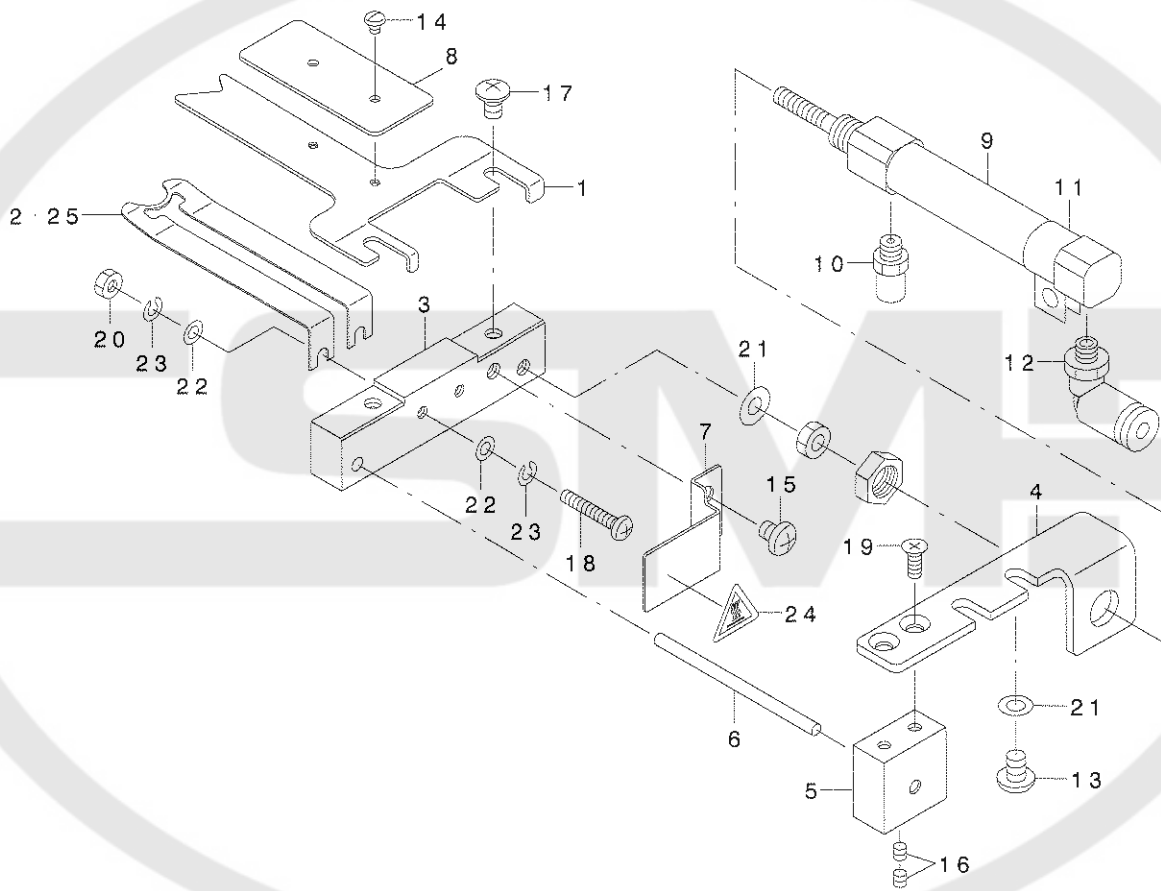
NO	NOTE	PART NO.	DESCRIPTION	Qty.
1		D1015-D10-N0H	ADJUST PLATE	1
2		SS-2111010-TP	SCREW 11/64-40 L=9.5	2
3		121-14716	PRESSER REGULATOR SCREW	1
4		121-14807	PRESSER REGULATOR NUT	2
5		D1001-D10-N0H	FIXED PLATE	1
6		B2549-372-000	CLAMP SCREW A	1
7		B3125-155-000	DISK SPRING	2
8		SD-0550451-SP	HINGE SCREW	2
9		WP-0531001-SC	WASHER	1
10		B3418-245-000	SPRING HOLDER	1
11		SS-8110422-TP	SCREW 11/64-40 L=4	1
12		SL-4040891-SC	SCREW M4 L=8	3
13		D4001-D10-P0P	SLIDE SHAFT GUIDE	1
14		D4002-D10-P0P	HEATER SHAFT FIXED BASE	1
15		D4003-D10-P0P	CYLINDER FITTING BASE	1
16		D4004-D10-P0P	HOT-WIRE PROTECT COVER	1
17		D4005-D10-P0P	HOT-WIRE SHAFT	1
18		D4006-D10-P0P	HOT-WIRE	1
19		D4007-D10-P0P	HOT-WIRE PLATE	1
20		D4008-D10-P0P	HOT-WIRE GUIDE PLATE	2
21		D4009-D10-P0P	UPPER HOT-WIRE FITTING PLATE	1
22		D4010-D10-P0P	UPPER HOT-WIRE COVER	1
23		SM-8041552-TP	SCREW M4 L=15	2
24		SM-9041050-SC	SCREW M4X0.7 L=10	2
25		NM-6040003-SC	NUT M4	4
26		WP-0430801-SC	WASHER 4.3X9X0.8	7
27		WS-0410002-KN	SPRING WASHER	5
28		SL-4030691-SC	SCREW M3X6	4
29		SL-4041091-SC	SCREW M4 L=10	2
30		SS-7060310-SP	SCREW 3/32-56 L=3	3

31	PA-1004510-A0	AIR CYLINDER	1
32	PX-5000500-A0	BRACKET	1
33	PJ-0460525-03	HOSE ELBOW	2
34	CM-3003000-01	SEAL	1
35	D5021-D10-NAH	HEATER CORD ASM.	2



2. LOWER HOT-WIRE COMPONENTS

下熱線關係

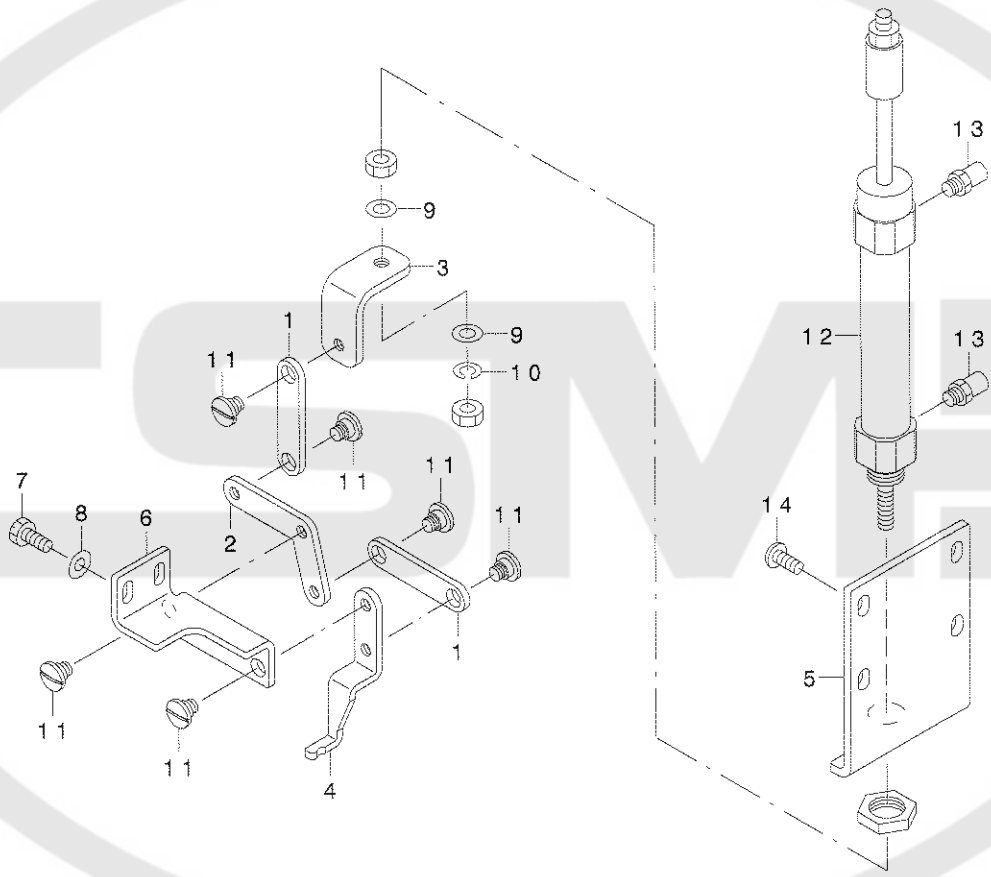


NO	NOTE	PART NO.	DESCRIPTION	Qty.
1		D4017-D10-P0P	LOWER THREAD FEEDER	1
2		D4018-D10-P0P	LOWER HOT-WIRE	1
3		D4019-D10-P0P	THREAD TRIMMER BASE	1
4		D2001-D10-N0H	CYLINDER STAY	1
5		D2003-D10-N0H	GUIDE BASE	1
6		D2004-D10-N0H	GUIDE BAR	1
7		D2005-D10-N0H	COVER	1
8		D2007-D10-N0H	INSULATING PLATE G	1
9		PA-1003024-A0	AIR CYLINDER	1
10		PJ-0320525-03	HOSE NIPPLE	1
11		PX-5000500-A0	BRACKET	1
12		PJ-3040405-04	ELBOW UNION	1
13		SS-4110615-SP	SCREW 11/64-40 L=6	2
14		SS-4060310-SP	SCREW 3/32-56 L=2.5	2
15		SM-4040501-SN	SCREW M4X0.7 L=5	1
16		SM-8030302-TP	SCREW M3X0.5 L=3	2
17		SM-0040601-SC	SCREW M4X0.7 L=6	2
18		SM-4031851-SR	SCREW	2
19		SM-1030801-SC	SCREW M3 L=8	2
20		NM-6030001-SC	NUT M3	2
21		WP-0430800-SC	WASHER M4	3
22		WP-0320500-SC	WASHER M3	4
23		WS-0310002-KN	SPRING WASHER M3	4
24		CM-3003000-01	SEAL	1
25	#01	D4018-D10-P0P-A	LOWER HOT-WIRE	1

NOTE) #01.....OPTIONAL PARTS

3. NEEDLE THREAD FEEDER COMPONENTS

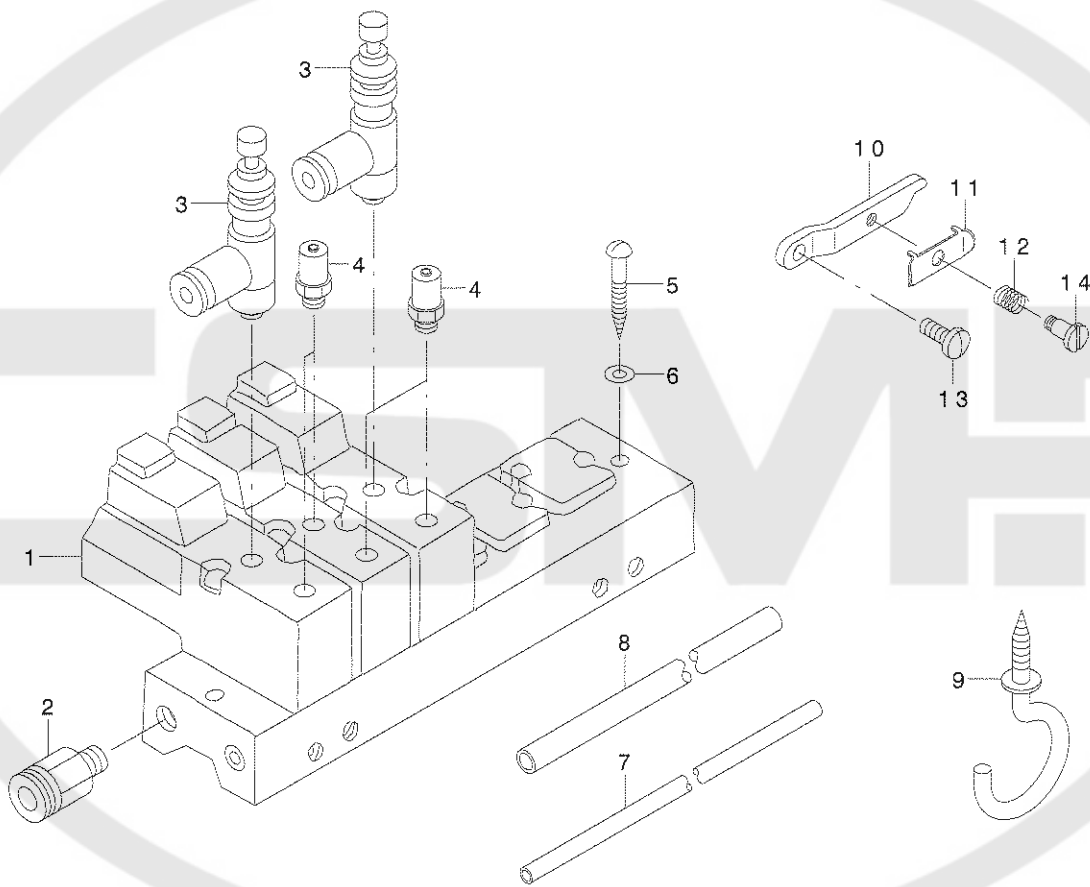
上糸繰り出し関係



NO	NOTE	PART NO.	DESCRIPTION	Qty.
1		D4011-D10-P0P	CONNECTING ARM	2
2		D4012-D10-P0P	V FORM CONNECTING ARM	1
3		D4013-D10-P0P	CYLINDER CONNECTING ARM	1
4		D4014-D10-P0P	UPPER THREAD EXORCIZE	1
5		D4015-D10-P0P	CYLINDER STAY	1
6		D4016-D10-P0P	FITTING BASE	1
7		SS-9111010-SP	SCREW 11/64-40 L=9.5	2
8		WP-0450801-SD	WASHER 4.5X10X0.8	2
9		WP-0531001-SC	WASHER	2
10		WS-0510002-KN	SPRING WASHER	1
11		SD-0640271-TP	HINGE SCREW	6
12		PA-1604003-A0	AIR CYLINDER	1
13		PJ-0320525-03	HOSE NIPPLE	2
14		SS-4111015-SP	SCREW 11/64-40 L=10	4

4. SOLENOID VALVE & OTHER COMPONENTS (1)

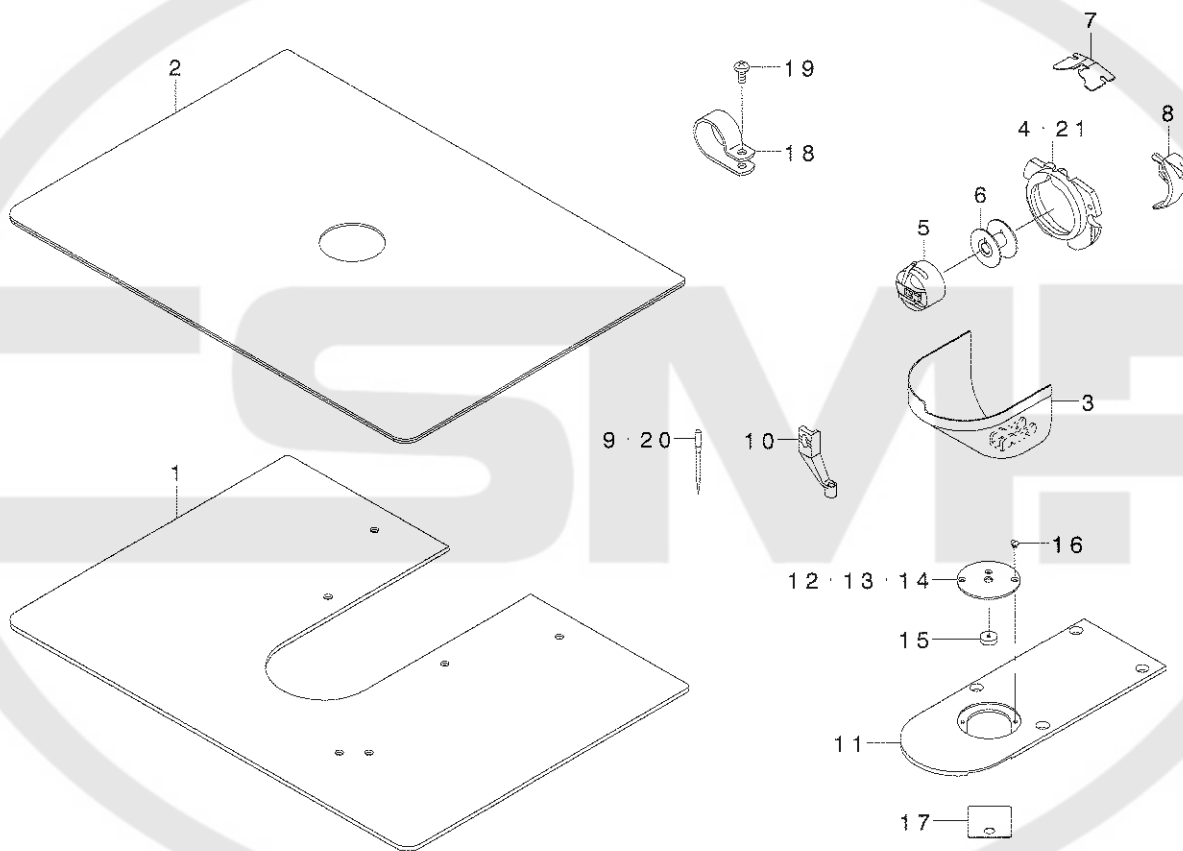
電磁弁・その他関係 (1)



NO	NOTE	PART NO.	DESCRIPTION	Qty.
1		PV-0351240-B0	SOLENOID VALVE ASM.	1
2		PJ-3010651-03	HALF UNION 6XPT1/8	1
3		PF-0705010-00	PRESSURE DECREASING VALVE	2
4		PJ-0320525-03	HOSE NIPPLE	4
5		SK-3312500-SE	WOOD SCREW D=3.1 L=25	2
6		WP-0320500-SC	WASHER M3	2
7		BT-0400251-EB	URETHANE HOSE, BLACK	7.6
8		BT-0600401-EB	TUBE	0.8
9		MAT-81163T00	CORD HOLDER	1
10		B1145-210-000	INSTALLING BASE	1
11		101-29104	THREAD PRESSER PLATE	1
12		B1132-521-000	THREAD PRESSER PLATE SPRING	1
13		SS-7090910-SP	SCREW 9/64-40 L= 8.5	1
14		SD-0380551-SL	HINGE SCREW D= 3.80 H= 5.5	1

5. SOLENOID VALVE & OTHER COMPONENTS (2)

電磁弁・その他関係 (2)

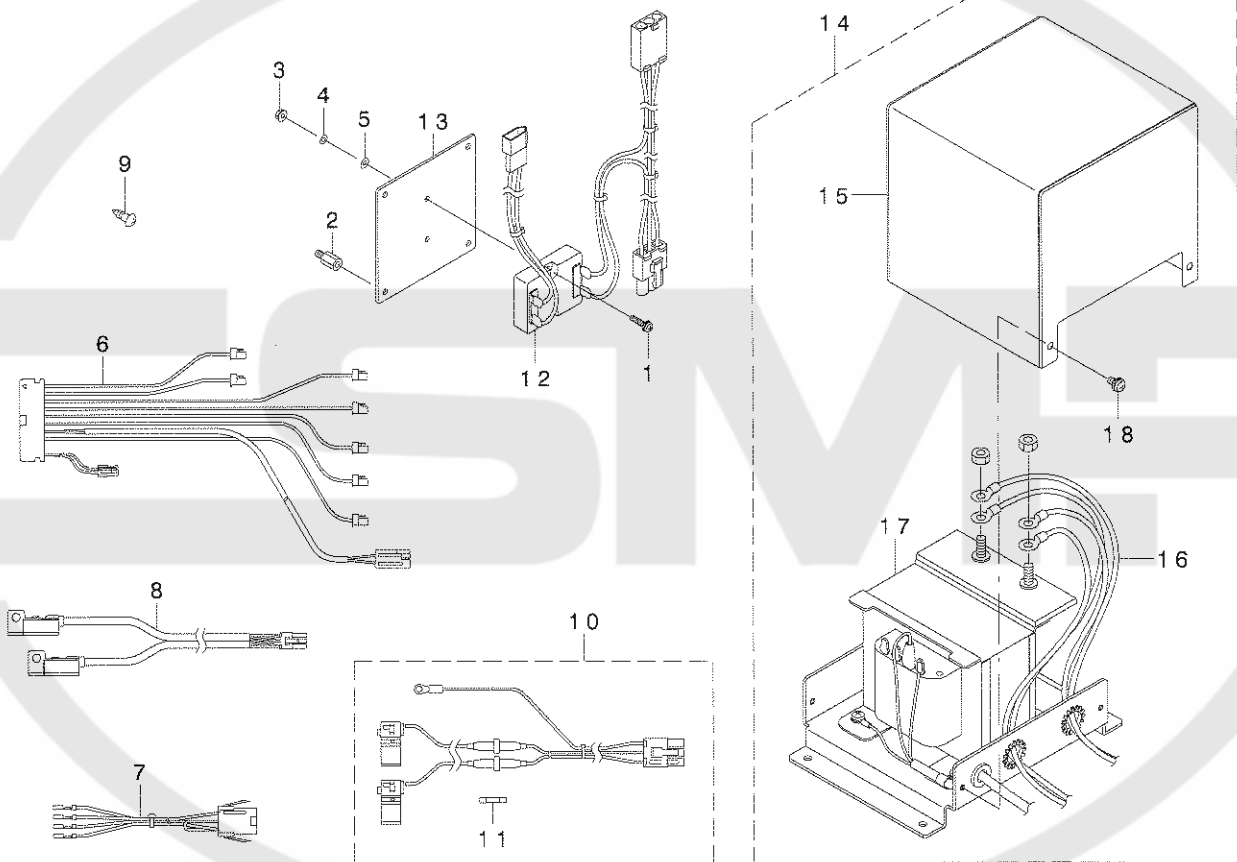


NO	NOTE	PART NO.	DESCRIPTION	Qty.
1		D4005-D10-N0H	NEEDLE PLATE SUPPORT COVER(AL)	1
2		D4006-D10-N0H	COVER SHEET	1
3		D4007-D10-N0H	CYLINDER ARM CAP	1
4		D4008-D10-NAH	SHUTTLE RACE RING ASM.,H	1
5		B1828-210-DAC	BOBBIN CASE ASM.	1
6		B1806-210-D0A	BOBBIN	1
7		B1815-210-D0A	SPRING	1
8		D4009-D10-N0H	SHUTTLE DRIVER (FOR #8)	1
9		MDP-170B2600	NEEDLE DPX17 #26	1
10		B1601-210-D0C-A	INTERMEDIATE PRESSER C	1
11		D4001-D10-N0H	NEEDLE PLATE	1
12		D4002-D10-N0H	NEEDLE HOLE GUIDE D=4.5	1
13	#01	D4002-D10-N0K	NEEDLE HOLE GUIDE D=3.5	1
14	#01	D4021-D10-P0P	ELLIPSE NEEDLE HOLE GUIDE	1
15		D4004-D10-N0H	HOT-WIRE SUPPORT	1
16		SS-2060320-SP	SCREW 3/32-56 L= 3.2	3
17		D4003-D10-N0H	INSULATING PLATE F	1
18		HX-0015000-0M	CABLE CLIP	3
19		SS-4110915-SP	SCREW 11/64-40 L=9	3
20	#01	MDP-170B2500	NEEDLE DPX17 #25	1
21	#01	B1817-210-DAE	SHUTTLE RACE RING ASM.,E	1

NOTE #01.....OPTIONAL PARTS

6. ELECTRICAL EQUIPMENT COMPONENTS

電装関係



NO	NOTE	PART NO.	DESCRIPTION	Qty.
1		SL-4031481-SC	SCREW M3 X 14	2
2		HX-0033900-00	STUD	4
3		NM-6030001-SC	NUT M3	2
4		WS-0310002-KN	SPRING WASHER M3	2
5		WP-0320500-SC	WASHER M3	2
6		D5001-D10-PAP	SOLENOID VALVE CABLE A ASM.	1
7		D5004-D10-PAP	SENSOR RELAY CORD	1
8		D5011-D10-NAH	CYLINDER SENSOR ASM.	1
9		SK-3451601-SC	WOOD SCREW	4
10		D5017-D10-NAH-A	HEATER POWER SUPPLY CORD ASM.	1
11		HF-0014001-00	FUSE	2
12		D5026-D10-NAH	HEATER RELAY ASM.	1
13		D5025-D10-N0H	HEATER RELAY INSTALLING PLATE	1
14		D5020-D10-NAH	HEATER TRANSFORMER COMPL.	1
15		G5604-341-000	TRANSFORMER COVER	1
16		D5021-D10-NAH	HEATER CORD ASM.	4
17		D5022-D10-NAH	HEATER TRANSFORMER ASM.	1
18		SL-4040891-SC	SCREW M4 L=8	4